



FireWall LLC

For Fire Protection Valves



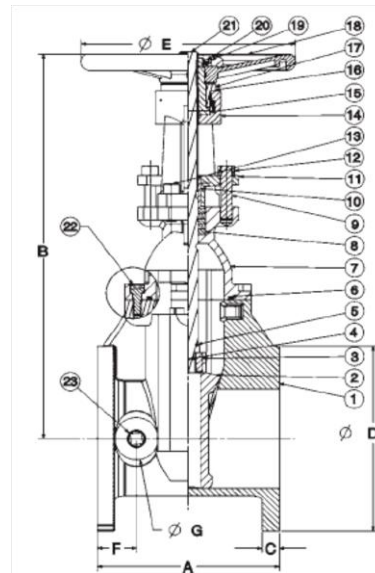
Model F-507-W Resilient Wedge Gate Valve

Technical Features

- 300 PSI/20.7 bar non-shock water working pressure
- Outside screw and yoke
- Bolted bonnet
- Resilient Wedge
- Epoxy coated body inside and out per AWWA C-550
- Flanged end connections
- Conforms to AWWA C509
- Listed by UL
- FM Approved
- Size range 2½" to 10"
- Size range 12" to 16" 250 PSI /17.2 Bar non-shock water working pressure



F-507-W



MATERIAL LIST	
PART	SPECIFICATION
1.Valve Body	Ductile Iron ASTM A 536
2.Resilient Wedge	Ductile Iron ASTM A 536/EDPM ASTM D 2000
3.Wedge Nut	Bronze ASTM B 584 UNS C83600
4.Dowel Pin	Stainless Steel ASTM A 276 UNS S42000 4"-16" ASTM B584 UNS C92200 2"-3"
5.Stem Back Seat O-Ring	EDPM ASTM D 2000
6.Bonnet Gasket	EDPM ASTM D 2000
7.Bonnet	Ductile Iron ASTM A 536
8.Stem Packing	EDPM ASTM D 2000
9.Threaded Rod	Carbon Steel Zinc Plated
10.Gland Bushing	Bronze ASTM B 584
11.Gland	Cast Iron ASTM A 126-B
12.Gland Nut	Stainless Steel 18-8
13.Yoke Screw	Alloy Steel ASTM A 574M Zinc Plated
14.Yoke	Cast Iron ASTM A 126-B
15.Yoke Bushing	Bronze ASTM B 584
16.Flat Point Set Screw	Alloy Steel ASTM F912M Black Oxide
17.Yoke Bushing Retainer	Cast Iron ASTM A 126-B
18.Handwheel	Ductile Iron ASTM A 536
19.Handwheel Nut	Carbon Steel Zinc Plated
20.Flat Head Screw	Carbon Steel Zinc Plated
21.Stem	Bronze ASTM B150 UNS C61400
22.Bonnet Screw	Alloy Steel ASTM A 574M Zinc Plated
23.NPT Pipe Plug	Malleable Iron ANSI B16.3(Epoxy Coated)
24.UL/FM Label	Aluminum

DIMENSIONS---WEIGHTS---QUANTITIES

Size	Dimensions																Flange Holes	Turns to Open	Weight				
	A	B Open		B Closed		C		D		E		F		G		Lbs			Kg				
In mm	In mm	In mm	In mm	In mm	In mm	In mm	In mm	In mm	In mm	In mm	In mm	In mm	In mm	In mm	In mm	In mm							
2 1/2	65	7.5	190	17.8	453	14.9	378	0.69	17.5	7.0	178	7.9	200	1.50	38	1.6	40	5.50	140	4	8.8	45	20
3	80	8	203	19.7	500	15.9	405	0.75	19.0	7.5	191	7.9	200	1.73	44	2.1	54	6.00	152	4	10.5	53	24
4	100	9	229	21	534	16.6	422	0.94	24.0	9.0	229	10.2	260	2.13	54	2.1	54	7.50	191	8	10.4	94	43
6	150	10.5	267	29.3	744	22.9	581	1.00	25.4	11.0	279	12.4	315	2.24	57	2.5	64	9.50	241	8	15.7	154	70
8	200	11.5	292	37	939	28.5	724	1.13	28.6	13.5	343	14.8	375	2.48	63	2.8	70	11.75	298	8	17.2	247	112
10	250	13	330	44.8	1139	34.5	877	1.19	30.2	16.0	406	16.4	416	2.56	65	2.8	70	14.25	362	12	21.4	349	159
12	300	14	356	52.2	1326	39.9	1014	1.25	31.8	19.0	483	17.5	445	2.91	74	3.4	86	17.00	432	12	25.5	484	220
14	350	15	381	62.51	1595	46.1	1171	1.38	35.0	21.0	533	18.7	475	2.95	75	3.1	80	18.75	476	12	44.0	682	310
16	400	16	406	74.64	1900	53.3	1354	1.46	37.0	23.5	597	20.5	520	3.00	77	3.1	80	21.25	540	16	50.0	860	391

Model F-501-W Resilient Wedge NRS Gate Valve

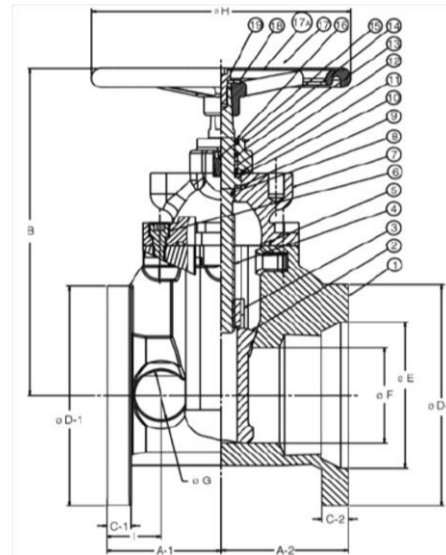
Technical Features

- 300 PSI/20.1 Bar non-shock cold working pressure
- Non-rising stem , Resilient wedge, Bolted bonnet
- Conforms to AWWA C509, Flanged end connections
- Size range 2-1/2" to 10"
- Size range 12" to 16" 250 PSI/ 17.2 Bar



MATERIAL LIST

PART	SPECIFICATION
1.Valve Body	Ductile Iron ASTM A 536
2.Resilient Wedge	Ductile Iron ASTM A 536/EDPM ASTM D 2000
3.Wedge Nut	Bronze ASTM B 584 UNS C83600
4.Stem	4"-16" ASTM B584 UNS C92200 2"-3"
5.Bonnet Gasket	Bronze ASTM B 150 UNS C61400
6.Bonnet Screw	EDPM ASTM D 2000
7.Bonnet	Alloy Steel ASTM A 574M Zinc Plated
8.Stem Primary O-Ring	Ductile Iron ASTM A 536
9.Stem Thrust Washer(lower)	EDPM ASTM D 2000
10.Stem Thrust Washer(upper)	Bronze ASTM B 584 UNS C83600
11.Gland Seal O-Ring	Stainless Steel ASTM A 276 UNS S41000
12.Stem Seal Bushing	EDPM ASTM D 2000
13.Stem Secondary O-Ring(2)	Bronze ASTM B 584 UNS C83600
14.Gland Flange	EDPM ASTM D 2000
15.Gland Flange Screw	Ductile Iron ASTM A 536
16.Stem Ringer Wiper	Alloy Steel ASTM A 574M Zinc Plated
17.Square Operating Nut	EDPM ASTM D 2000
17A. Handwheel (Optional)	Cast Iron ASTM A 126-B
18.Flat Washer	Ductile Iron ASTM A 536
19.Screw	Carbon Steel Zinc Plated
	Alloy Steel ASTM A 574M Zinc Plated



DIMENSIONS---WEIGHTS---QUANTITIES

Size	Dimensions														Bolt Circle	Flange Holes	Turns to Open	Weight			
	In	mm	In	mm	In	mm	In	mm	In	mm	In	mm	In	mm				Lbs	Kg		
2 1/2	65	7.5	190	11.3	287	0.69	17.5	7.0	178	1.50	38	1.6	40	7.9	200	5.50	140	4	8.8	35	16
3	80	8	203	12.6	321	0.75	19	7.5	191	1.73	44	2.1	54	10.2	260	6.00	152	4	10.6	45	20
4	100	9	229	13.5	344	0.94	24	9.0	229	2.13	54	2.1	54	10.2	260	7.50	191	8	3.0	71	32
6	150	10.5	267	17.4	441	1.00	25.4	11.0	279	2.24	57	2.5	64	14.8	375	9.50	241	8	15.6	122	55
8	200	11.5	292	20.8	529	1.13	28.6	13.5	343	2.48	63	2.8	70	14.8	375	11.75	298	8	17.3	196	89
10	250	13	330	24.2	614	1.19	30.2	16.0	406	2.56	65	2.8	70	15.7	400	14.25	362	12	21.4	294	134
12	300	14	356	27.6	700	1.25	31.8	19.0	483	2.91	74	3.4	86	19.7	500	17.00	432	12	25.3	426	194
14	350	15	381	31.8	807	1.38	35	21.0	533	2.95	75	3.1	80	19.7	500	18.75	476	12	44	600	273
16	400	16	406	34.1	869	1.46	37	23.5	597	3.00	77	3.1	80	19.7	500	21.25	540	16	50	810	369

Model F-706-U Swing Check Valve

Technical Features

Horizontal Swing, Bolted Bonnet, Renewable Seat and Disc.

Specifications: Conforms to MSS SP-71

Working Pressure: 200 PSI.

Connection: Flanged ends to ANSI B16.1 Class 125.

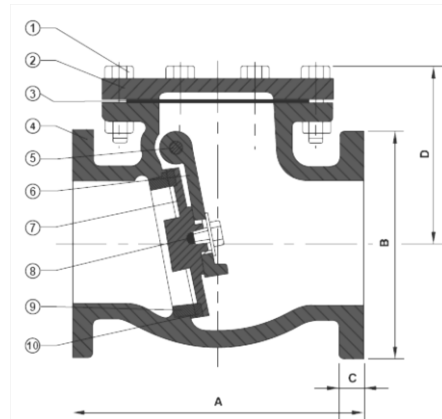
Suitable for horizontal or vertical installation.

Size range : 3" to 12"



MATERIAL LIST

PART	SPECIFICATION
1.Bolt	Steel ASTM A307-A
2.Cover	Cast Iron ASTM A126 Class B
3.Cover Gasket	Non-Asbestos
4.Body	Cast Iron ASTM A126 Class B
5.Hinge Pin	Brass ASTM B16
6.Clapper Arm	Bronze ASTM B-62 C83600
7.Clapper	Bronze ASTM B-62 C83600
8.Cap Screw Bolt	Bronze ASTM B-21
9.Body Seat Ring	Bronze ASTM B-62 C83600
10.Clapper Ring	Bronze ASTM B-62 C83600



DIMENSIONS---WEIGHTS---QUANTITIES

Size	Dimensions								Weight		
	A		B		C		D		Lbs	Kg	
In	mm	In	m	In	mm	In	mm	In	mm		
3	80	10.25	260	7.50	191	0.75	19	6.63	168	62	28
4	100	13.00	330	9.00	229	0.94	24	8.00	203	103	47
6	150	16.25	413	11.00	279	1.00	25	10.31	262	174	79
8	200	19.50	495	13.50	343	1.13	29	11.5	292	290	132
10	250	22.00	559	16.00	406	1.19	30	13.31	338	490	223
12	300	27.50	699	19.00	483	1.25	32	15.56	395	683	310

Model F-104-W 175 PSI WWP Bronze Gate Valve



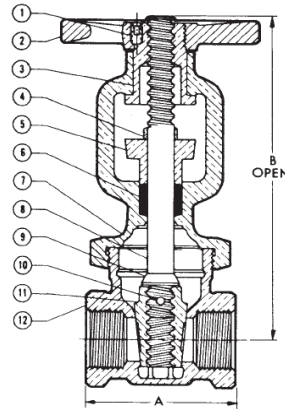
Technical Features

- Rising stem
- Solid wedge
- Screw-over bonnet
- Outside screw and yoke
- Class 125 threaded female end connections
- 175 psi/12.1 bar non-shock water working pressure (WWP)
- Size: 3/4" to 2"



MATERIAL LIST

PART	SPECIFICATION
1. Set Screw	Steel ASTM A307
2. HandWheel	Malleable Iron
3. Yoke Bushing	Brass ASTM B16
4. Gland Bolts	Steel ASTM A307 Zinc plated
5. Packing Gland	Bronze ASTM B62
6. Packing	Non Asbestos Aramid Fibers W/Graphite
7. Bonnet	Bronze ASTM B62
8. Stem	Silicon Bronze ASTM B371 Alloy C69430
9. Stem Collar	Silicon Bronze ASTM B371 Alloy C69430
10. Wedge Pin	Bronze ASTM B140 Alloy C31400
11. Wedge	Bronze ASTM B62
12. Body	Bronze ASTM B62



DIMENSIONS---WEIGHTS---QUANTITIES

Size	Dimensions				Handwheel		Weight	Box Qty.	Master Ctn.Qty.		
	A		B		Diameter						
In mm	In	mm	In	mm	In	mm	Lbs	Kg			
3/4	20	2.44	62	6.44	164	3.25	88	2.83	1.29	1	20
1	25	2.88	73	7.44	189	3.25	88	3.67	1.67	1	10
1.1/4	32	3.13	79	8.69	221	4.00	100	5.83	2.65	1	10
1.1/2	40	3.38	84	9.38	238	4.00	100	6.84	3.11	1	10
2	50	3.44	87	10.59	269	3.50	89	9.74	4.44	1	6

Model F-402-W 300 WOG Bronze Check Valve

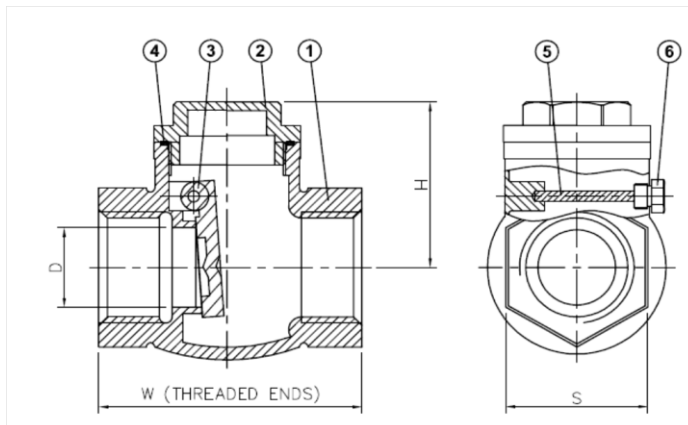
Technical Features

- Bronze Swing Check Valve
- 300 WOG Non-Shock
- 150 WSP
- Horizontal Pattern
- Bronze Disc
- Threaded Cap
- Size 1/2" to 3"



MATERIAL LIST

PART	SPECIFICATION
1.BODY	Bronze ASTM C84400
2.CAP	Bronze ASTM C84400
3.DISC	Bronze ASTM C84400
4.GASKET	PTFE
5.HINGE PIN	COPPER ALLOY
6.HEX PLUG	COPPER ALLOY



DIMENSIONS---WEIGHTS---QUANTITIES

Size	Dimensions								
	W		H		D		S		
	In	mm	In	mm	In	mm	In	mm	
1/2	15	2.20	56	1.50	38	0.53	13.5	1.06	27
3/4	20	2.40	61	1.56	39.50	0.75	19	1.30	33
1	25	2.76	70	1.73	44	0.94	24	1.54	39
1-1/4	32	3.23	82	2.11	53.5	1.22	31	1.97	50
1-1/2	40	3.78	96	2.38	60.5	1.46	37	2.17	55
2	50	4.29	109	2.74	69.5	1.89	48	2.60	66
2-1/2	65	5.39	137	3.37	85.5	2.44	62	3.27	83
3	80	5.91	150	3.58	91	2.95	75	3.98	101

Model F-405-W 300 WOG Bronze Check Valve

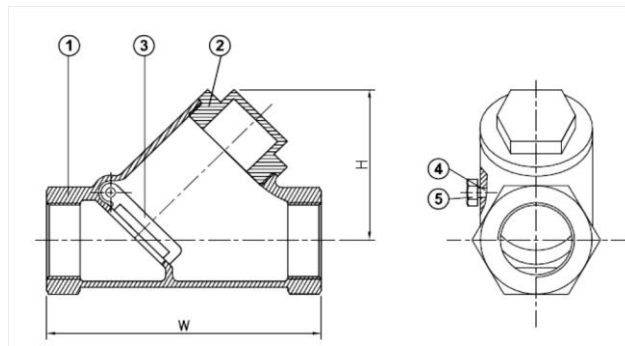
Technical Features

- Bronze Swing Check Valve
- 300 WOG
- Y Pattern
- Threaded Ends Conform with ANSI B2.1
- Size: 1/2" to 2"



MATERIAL LIST

PART	SPECIFICATION
1.BODY	Bronze ASTM C84400
2.CAP	Bronze ASTM C84400
3.DISC	Bronze ASTM C84400
4.HINGE PIN	COPPER ALLOY
5.HEX PLUG	COPPER ALLOY



DIMENSIONS---WEIGHTS---QUANTITIES

Size	Dimensions				Weight		Box Master		
	In	mm	In	mm	Lbs	Kg	Qty.	Ctn.Qty.	
1/2	15	2.20	56	1.65	42	0.55	0.25	1	50
3/4	20	2.75	70	1.97	50	0.90	0.41	1	50
1	25	3.15	80	2.28	58	1.46	0.66	1	30
1-1/4	32	3.78	96	2.72	69	2.17	0.99	1	20
1-1/2	40	4.33	110	3.19	81	2.95	1.34	1	10
2	50	5.04	128	3.86	98	4.79	2.17	1	10